

**M12 MALE 0° SHIELDED**

PUR 12x0,14 shielded bk UL/GSA, drag ch 1.5m

Male straight

M12, 12-pole

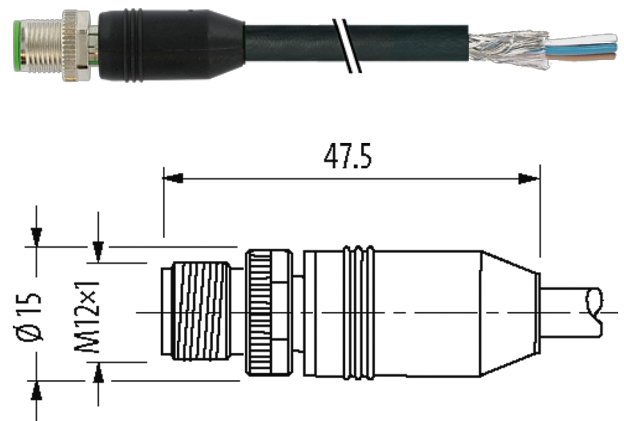
shielded

with cable sleeves

Plastic housings with good resistance against chemicals and oils.

The resistance to aggressive media should be individually tested for your application. Further details on request.

Further cable lengths on request.

**[Link to Product](#)****Illustration**

Product may differ from Image

**Approvals**

cCSAus

\* only for products with UL/GSA approved cable

**Form**

Form 19301

**General data**

|                   |  |
|-------------------|--|
| Standards         | DIN EN 61076-2-101 (M12)                 |
| Temperature range | -25...+85 °C, depending on cable quality |

**Cables**

|                            |  |
|----------------------------|--|
| No./diameter of wires      | 12× 0.14 mm <sup>2</sup>                               |
| Wire isolation             | PP (br, bl, wh, gn, pk, ye, bk, gr, rd, vi, grp, rdbl) |
| C-track properties         | 5 Mio.   |
| Material (jacket)          | PUR (UL/GSA)   |
| Outer Ø                    | 6.5 mm ±5%   |
| Bend radius (moving)       | 10× outer Ø  |
| Temperature range (fixed)  | -40...+80 °C   |
| Temperature range (mobile) | -25...+80 °C   |
| Cable identification       | 706  |
| Cable Type                 | 3 (PUR)  |
| Approval (cable)           | cURus (AWM-Style 20549/10493); CE conform              |
| Cable weight [g/m]         | 67,10  |

|                                    |  |
|------------------------------------|--|
| Material (wire)                    | Cu wire, bare  |
| Resistor (core)                    | max. 138 Ω/km (20 °C)  |
| Single wire Ø (core)               | 0.1 mm   |
| Construction (core)                | 18× 0.1 mm (multi-strand wire class 6)   |
| Diameter (core)                    | 12× 0.14 mm <sup>2</sup>   |
| AWG                                | similar to AWG 26  |
| Material (wire isolation)          | PP   |
| Material property (wire isolation) | CFC-, halogen-, cadmium-, silicone- and lead-free  |
| Shore hardness (wire isolation)    | 70 ±5 D  |
| Wire-Ø incl. isolation             | 1.0 mm ±5%   |
| Color/numbering of wires           | br, rd, gr, bk, ye, pk, gn, wh, bl, rdbl, grpk, vi   |
| Stranding combination              | Twisted wires rdbl, grpk and vi, over it all other wires are twisted   |
| Shield                             | yes  |
| Material (jacket)                  | PUR  |
| Material property (jacket)         | CFC-, halogen-, cadmium-, silicone- and lead-free, matt, low-adhesion, machine easy to process, abrasion-resistant, hydrolysis and microbial resistant |
| Shore hardness (jacket)            | 90 ±5 A  |
| Outer-Ø (jacket)                   | 6.5 mm ±5%   |
| Color (jacket)                     | black  |
| chemical resistance                | good resistance to oil, gasoline and chemicals (EN 60811-404)  |
| thermal resistance                 | flame retardant UL 1581 VW1 / CSA FT1 / IEC 60332-1, IEC 60332-2-2   |
| Nominal voltage                    | 300 V AC   |
| Test voltage                       | 2000 V AC  |
| Current load capacity              | to DIN VDE 0298-4  |
| Temperature range (fixed)          | -40...+80 °C, (+90 °C at max. 10 000 operating hours)  |
| Temperature range (mobile)         | -25...+80 °C, (+90 °C at max. 10 000 operating hours)  |
| Bend radius (fixed)                | 5× outer Ø   |
| Bend radius (moving)               | 10× outer Ø  |
| No. of bending cycles (C-track)    | max. 5 Mio. (25 °C)  |
| Traversing distance (C-track)      | max. 5 m (horizontal)  |
| Travel speed (C-track)             | max. 3.3 m/s   |
| Acceleration (C-track)             | max. 5 m/s <sup>2</sup>  |
| Torsion stress                     | ±30 °/m  |
| No. of torsion cycles              | max. 2 Mio. (25 °C)  |
| Torsion speed                      | 35 cycles/min  |
| Jacket Color                       | black  |
| <b>Technical Data</b>              |  |
| Operating voltage                  | max. 30 V AC/DC  |
| Operating current per contact      | max. 1.5 A   |
| Locking of ports                   | Screw thread (M12×1 mm) recommended torque 0.6 Nm, self-securing   |
| Compression gland                  | M12 (SW13)   |
| Protection                         | IP65, IP66K, IP67 inserted and tightened (EN 60529)  |
| <b>Commercial data</b>             |  |
| country of origin                  | DE   |
| customs tariff number              | 85444290   |
| EAN                                | 4048879188876  |
| eClass                             | 27279218   |
| Packaging unit                     | 1  |

## Sketch

|    |   |           |
|----|---|-----------|
| 1  | ■ | brown     |
| 2  | ■ | blue      |
| 3  | ■ | white     |
| 4  | ■ | green     |
| 5  | ■ | pink      |
| 6  | ■ | yellow    |
| 7  | ■ | black     |
| 8  | ■ | gray      |
| 9  | ■ | red       |
| 10 | ■ | violet    |
| 11 | ■ | gray/pink |
| 12 | ■ | red/blue  |
|    |   | shield    |

Product may differ from Image